

DATASHEET

XS4 One by SALTO

The SALTO XS4 One escutcheon is a revolutionary stand-alone electronic lock thanks largely to the level of technology packed inside that brings together the convenience of an offline point -- easy installation and no wires – with all the power and performance of an online point.

www.saltosystems.com

TECHNICAL SPECIFICATIONS: XS4 ONE Ex7xx

SALTO
inspired access



(1) Certifications in progress
(*) Optional

TECHNICAL DATA:

Housing dimensions (H x W x D):	285,0 x 42,0 x 19,5 mm
Weight:	1,5 kg
Handle rotation:	Max. 45°
Door thicknesses:	32 mm - 120 mm
Distance from the handle to the cylinder	47 mm - 110 mm
Square spindles:	7 mm, 7,6 mm split, 8 mm, 8 mm split, 9 mm, 9 mm split
Power source:	3 AAA batteries (LR03 1,5V)
Number of openings	40.000 - 60.000 depending on the technology
Maximum events on lock audit	2.200 events
Environmental conditions Outdoor	+5 °C / +50 °C without condensation, optional -20 °C / +50 °C
Environmental conditions Indoor	+5 °C / +50 °C. without condensation.
IP class:	IP53 (optional IP55 for external escutcheon)
Certifications:	CE, EN1906 EN 179, EN 1634-1 (Ei60, E260, E90) PAS24 (optional)

ID TECHNOLOGIES:

MIFARE*:	•
BLE Smart:	•
NFC:	•
Legic**:	—
HID iClass®:	•
Picopass:	—
i-Button:	—

* MIFARE® (DESFire EV2, Classic, Plus, Ultralight C).

** Legic Prime and Legic Advant

TECHNOLOGY PLATFORMS:**SALTO SPACE:**

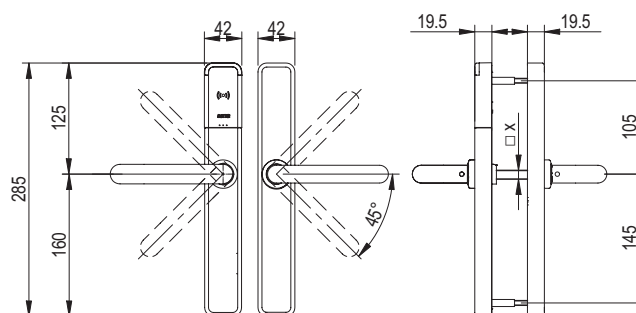
Smile - Selfprogrammable	—
ROM	•
SVN data-on-card	•
Wireless (SALTO RFnet)	—
Wireless (SALTO BLUEnet)	•

SALTO KS:

SALTO KS:	—
-----------	---

SALTO SALLIS:

SALLIS:	—
---------	---

TECHNICAL DRAWING:**OPENING MODES:**

Standard:	•
Office mode:	•
Timed office:	•
Automatic opening:	•
Automatic opening + office	•
Toggle:	•
Timed Toggle:	•
Amok mode:	—
Exit leaves open mode:	•
Pin code / Keypad:	—

OPTIONS:**Reader colour:**

Black:	•
White:	•

Faceplate finish:

IM Satin stainless steel:	•
IP Bright stainless steel:	•
IA Antique brass:	•
PP PVD bright brass type:	•
PM PVD satin brass type:	•
NE Black chromium:	•
BC BioCote anti-microbial:	•

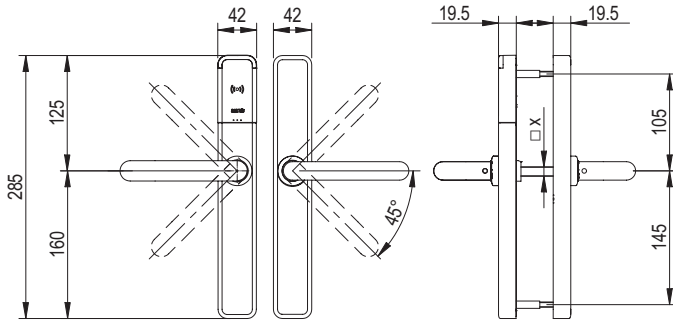
Handles

Compatible handles	U, L, W, H, S, B, P, J, T, Y, Z, O, N, G, K, 2, 3, 4, 7, 5
--------------------	---

MODELS:

Ex750:

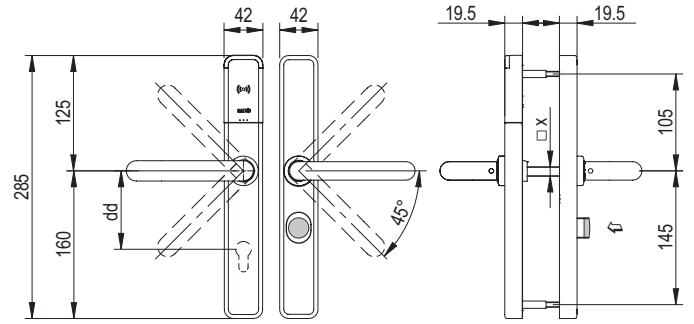
2 handles any type.



Ex757:

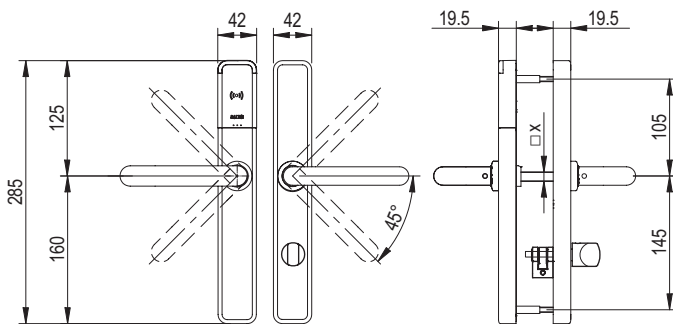
2 handles any type.

- Outside cylinder cut out.
- Electronic “do not disturb” system (Not available in self-programmable).



Ex751:

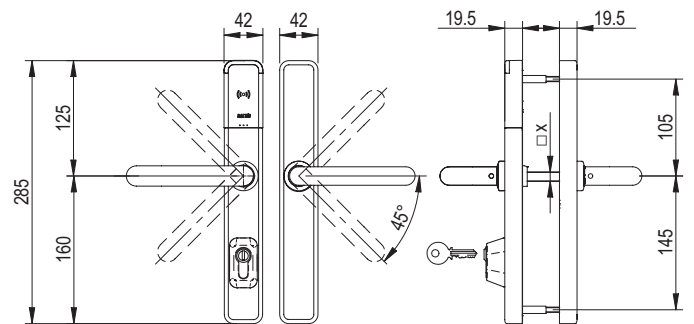
2 handles any type.
Inside thumbturn.



Ex7P0:

2 handles any type.

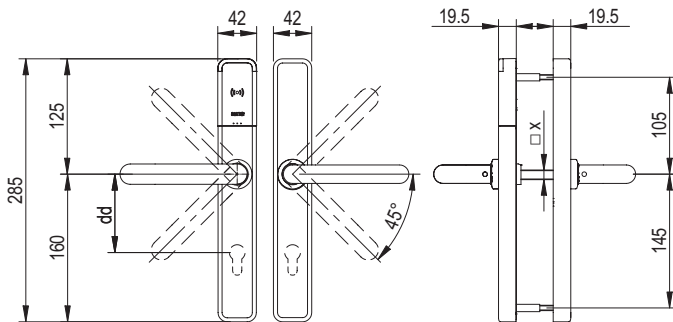
- Built in mechanical override with audit.
(Ex4P0 reference: Euro profile cylinder 30-10).



Ex752 / Ex753 / Ex754

2 handles any type.

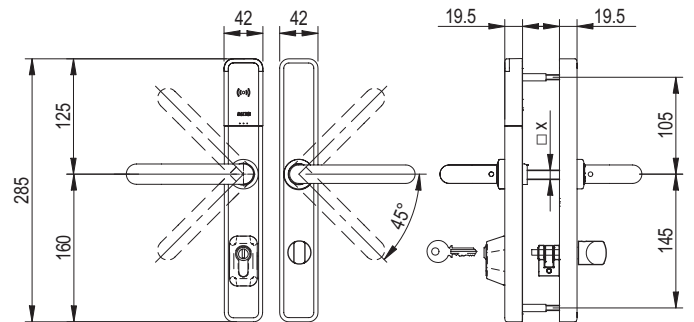
Inside (models 52 / 53) / (models 54) Outside cylinder cut out.



Ex7P1:

- 2 handles any type.
- Inside thumbturn.

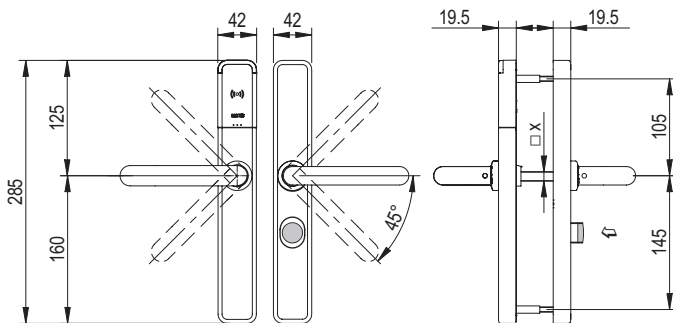
- Built in mechanical override with audit.
(Ex4P1 reference: Euro profile cylinder 30-10).



Ex756:

2 handles any type.

Electronic “do not disturb” system (Not available in selfprogrammable).



Ex7P6:

- 2 handles any type.
- Electronic “do not disturb” system
- Built in mechanical override with audit.
(Ex4P6 reference: Euro profile cylinder 30-10).

